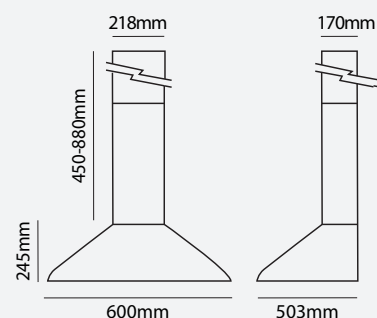


Your Ventilation answer.
A healthy home creates
a happy kiwi home.

Rangehood STYLELINE CANOPY 600MM, WHITE, LED

RCAN-6W-500L

- Pyramid Style Rangehood
- 3 Speed Settings
- Air Movement Capacity 500m³/hr
- Full width removable grease filters
- Aluminium Filters
- Push Button Controls
- LED Lights
- 150mm Ducting
- Noise 48db
- 7 Year Warranty



This sleek control panel is easy to use and offers a selection of fan speeds that easily remove steam and cooking smells. Operated by a separate control button, the LED lights provide illumination over the entire cooking surface. The aluminium filters effectively catch grease and are designed to be easily removable, easily cleanable and dishwasher safe

A smart clean, healthy solution for your home environment.



Impressive 7 Year Warranty

Note: 7 year warranty is for domestic use only.
For more information visit www.parmco.co.nz

PARMCO

Inspiring kitchens, entertaining homes